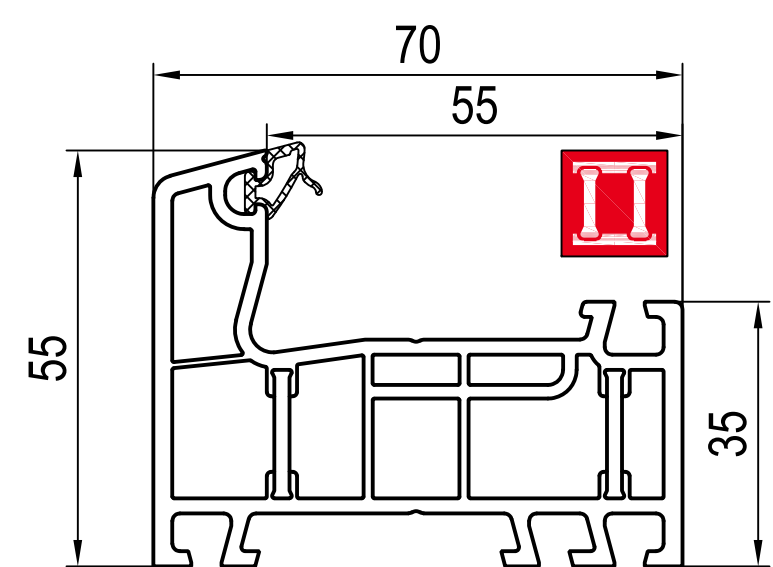
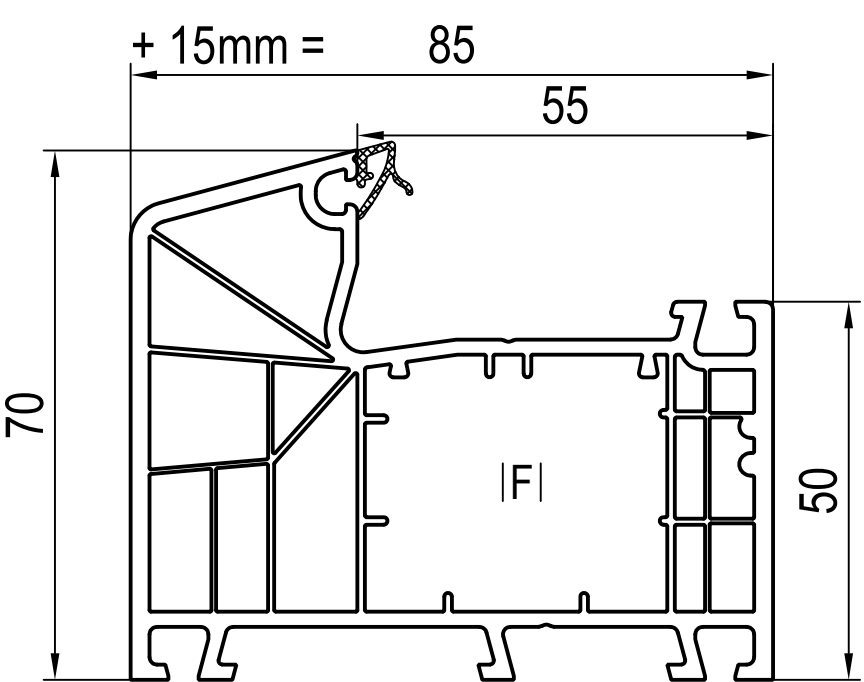


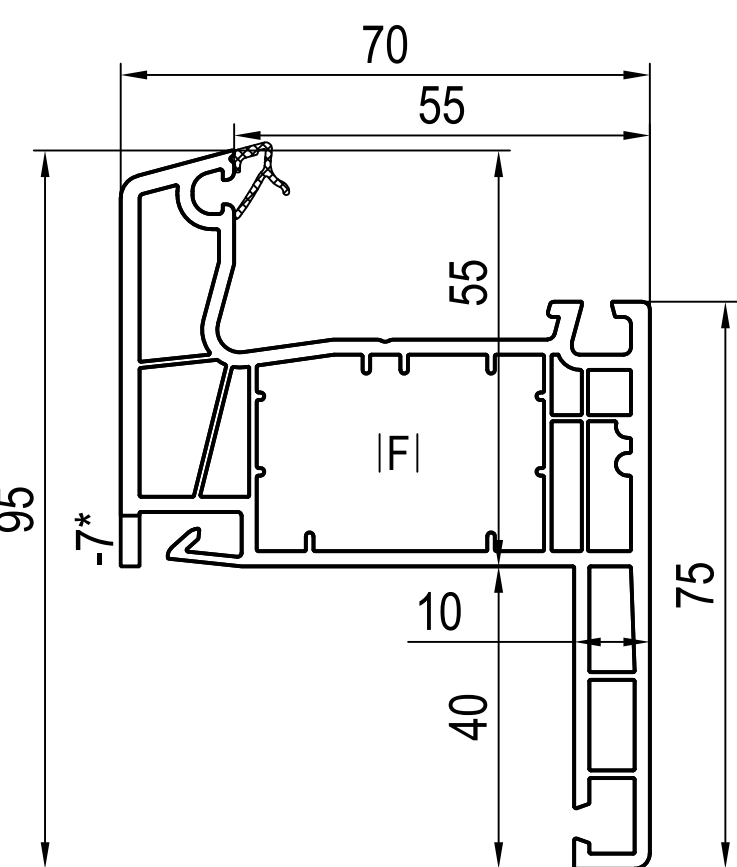
profile główne
ramy



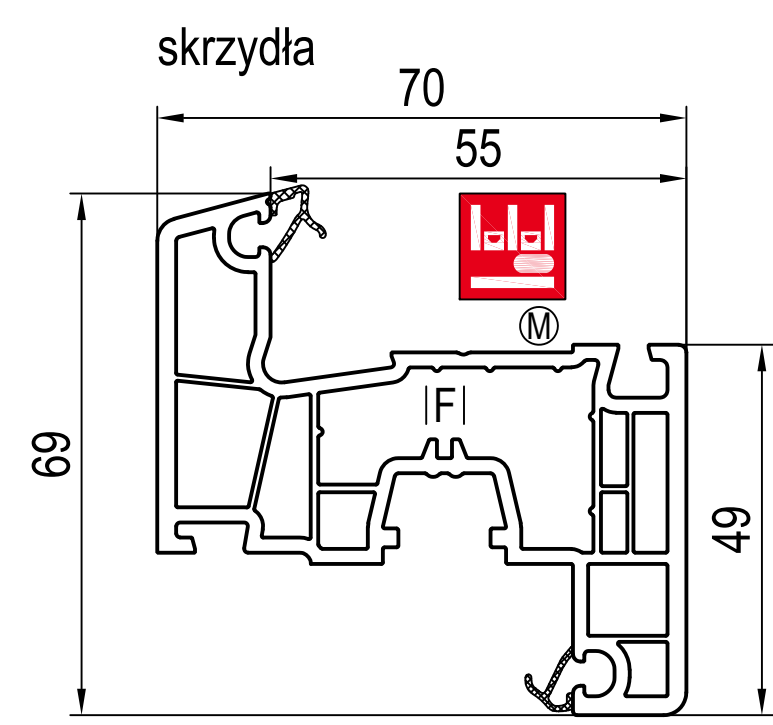
040x02 (CL)
IAI 640301, 640320
IPI 259304
IQI 227300, 227303, 227305
IUI 249058, 249060, 269060
IVI 646022 + IXI 446071



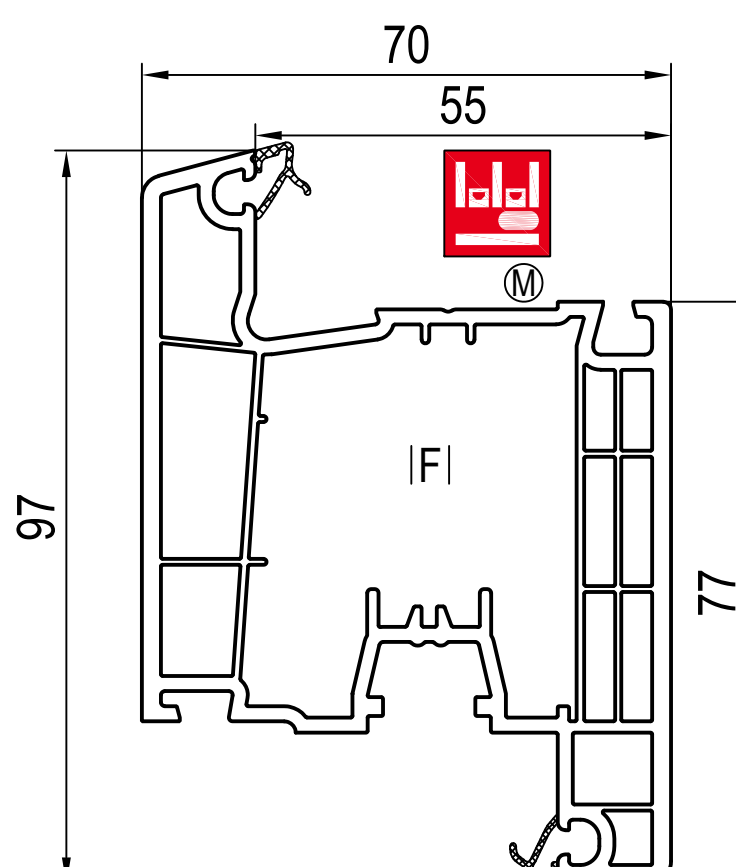
140x00 (CL)
IAI 640301, 640320
IFI 229023, 229024, 229025, 229026, 229029, 229030, 249010, 249026



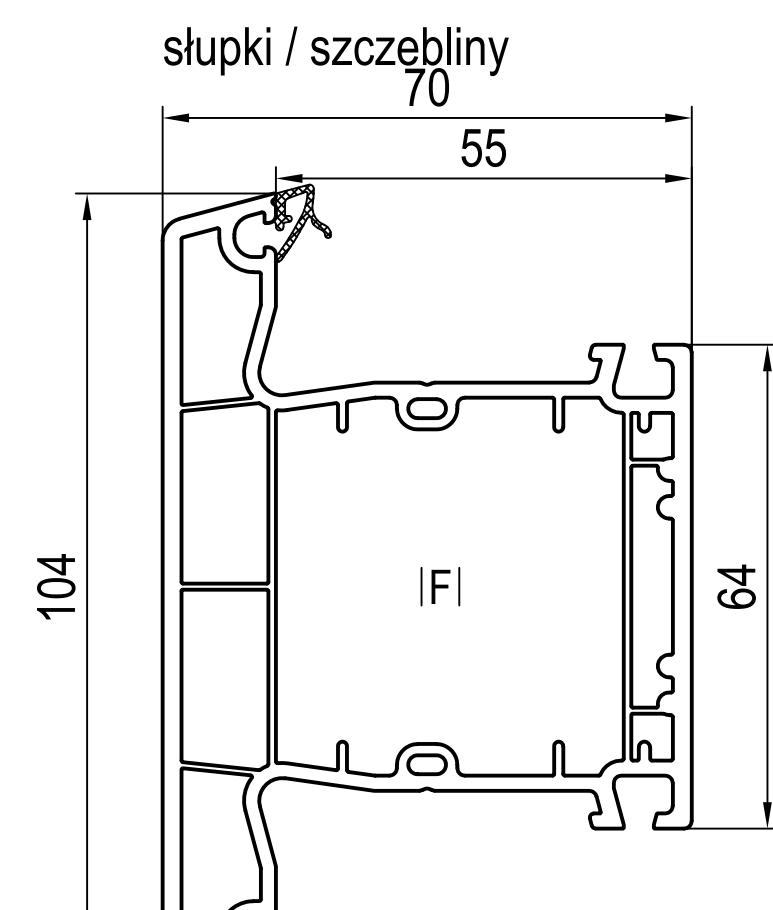
140x15 (CL)
140x17 (CL)
IAI 640301, 640320
IFI 229098, 229100, 229101, 249004
IPI 259304
IQI 227300, 227303, 227305



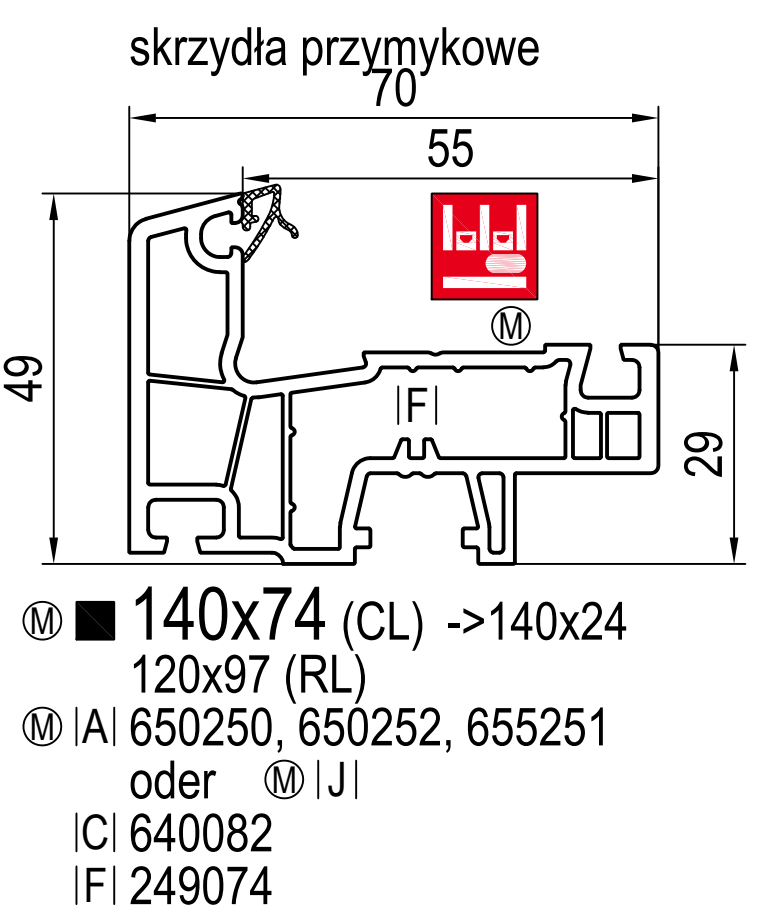
140x24 (CL) -> 140x74
IAI 650250, 650252, 655251
oder IUI
IFI 259024, 259028
IJI 642261, 642262, 642263, 646265, 646266
IPI 249424



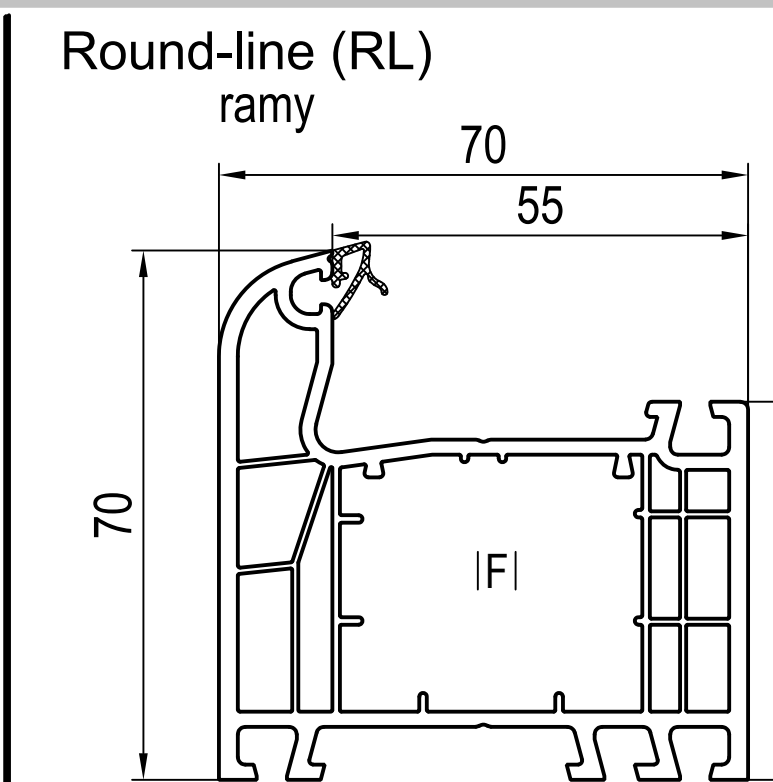
140x28 (CL) -> 140x78
IAI 650250, 650252, 655251
oder IUI
IFI 209192, 209193
IJI 642261, 642262, 642263, 646265, 646266
IPI 249428



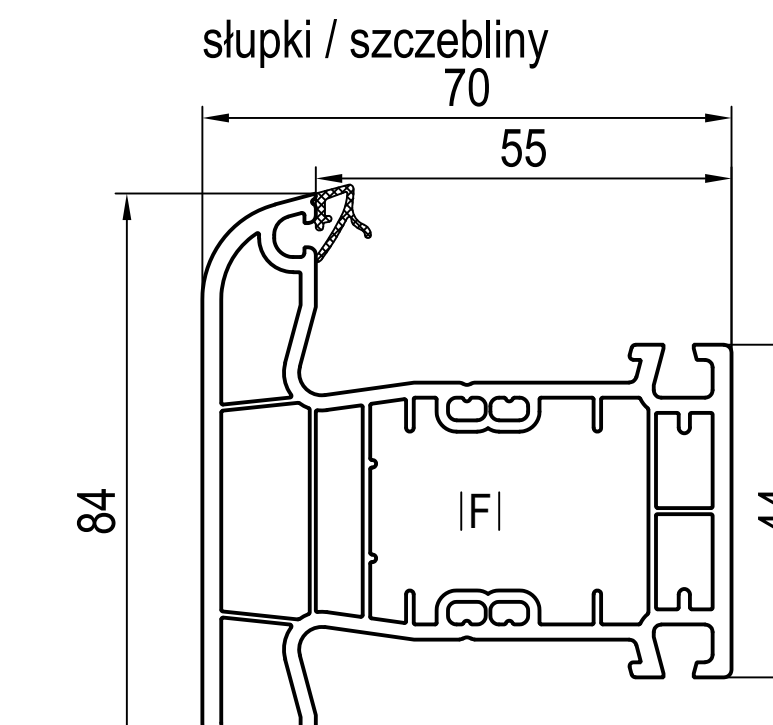
140x45 (CL)
IAI 640301, 640320
IDI 647245 ~ IUI ...
IDI 677133 ~ 140x4x ...
IDI 647136, 677103 ~ 140x4x ...
IDI 640046 ~ universal
IFI 249034, 249035
IPI 249343
IUI 249058, 249060, 269060
M 646075



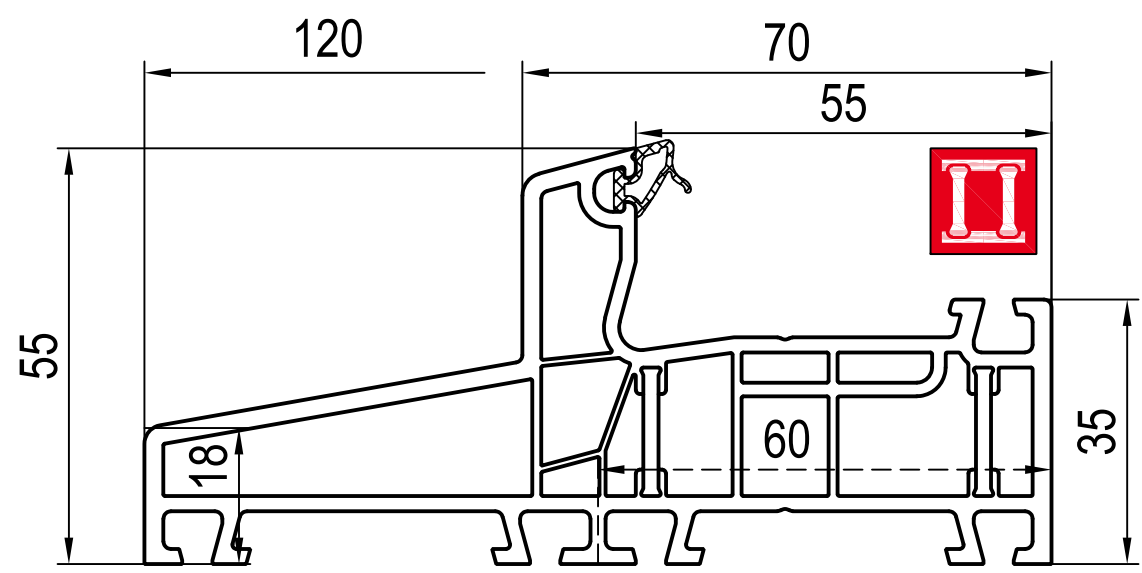
140x74 (CL) -> 140x24
120x97 (RL)
IAI 650250, 650252, 655251
oder IUI
ICI 640082
IFI 249074
IJI 642261, 642262, 642263, 646265, 646266



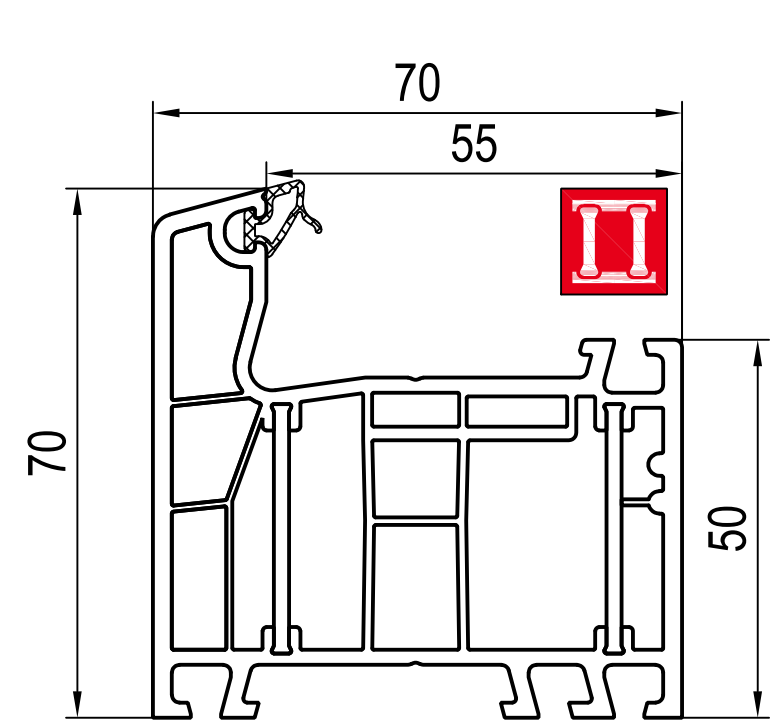
140x08 (RL)
IAI 640301, 640320
IFI 229023, 229024, 229025, 229026, 229029, 229030, 229112, 229113, 229121, 249026
IQI 247300
IUI 249058, 249060, 269060
IVI 646070 + IXI 446071



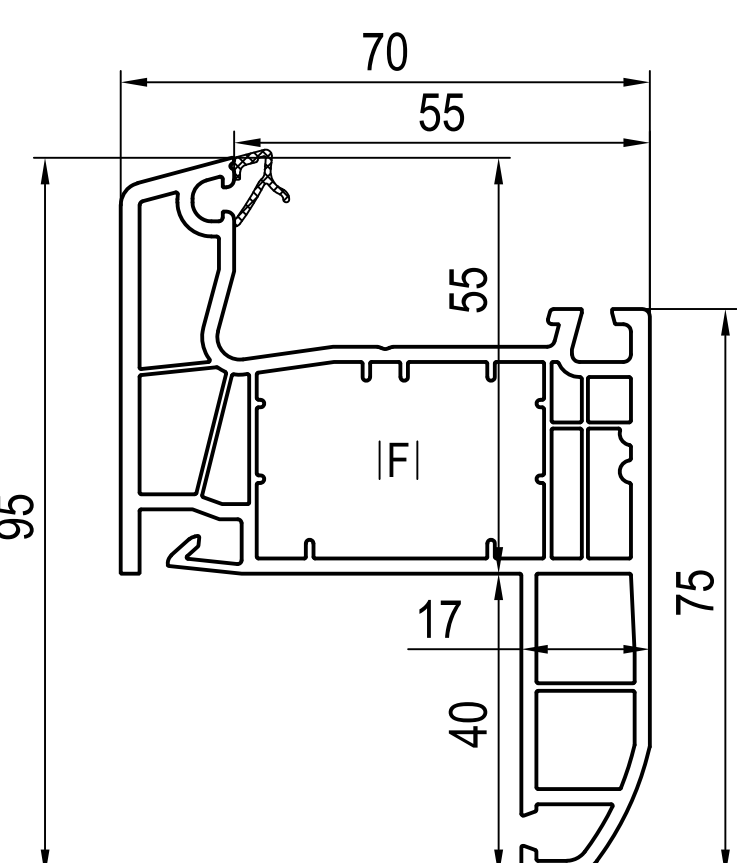
140x47 (RL)
IAI 640301, 640320
IDI 647241 ~ IUI ...
IDI 647131, 647132 ~ 140x4x ...
IDI 647101, 647102 ~ 140x4x ...
IDI 620046 ~ universal
IFI 229098, 229100, 229101
IUI 249058, 249060, 269060
M 646073



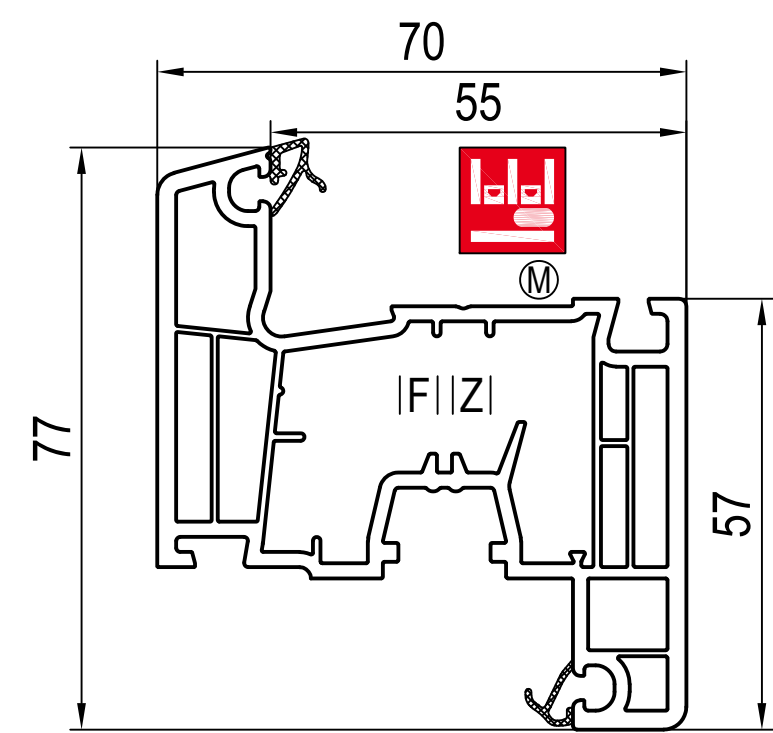
040x92 (CL)(MB)
IAI 640301, 640320
IQI 227300, 227303
IUI 249058
IVI 646079



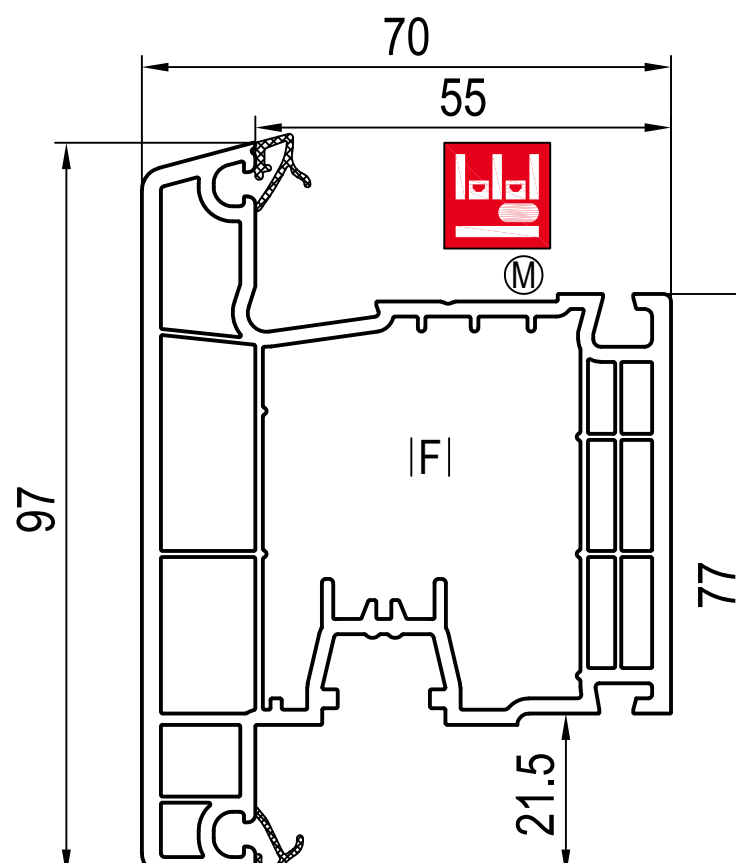
040x07 (CL)
IAI 640301, 640320
IPI 249312, 259304
IQI 227300, 227303, 227305
IUI 249058, 249060, 269060
IVI 646071 + IXI 446071



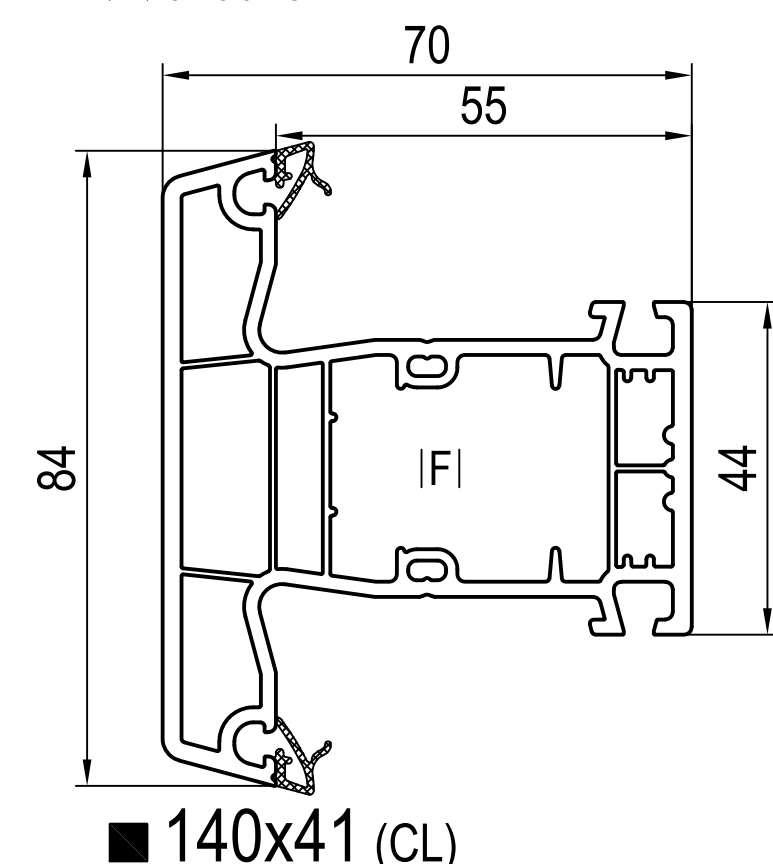
140x05 (CL)
IAI 640301, 640320
IFI 229098, 229100, 229101, 249004
IPI 259304
IQI 227300, 227303, 227305



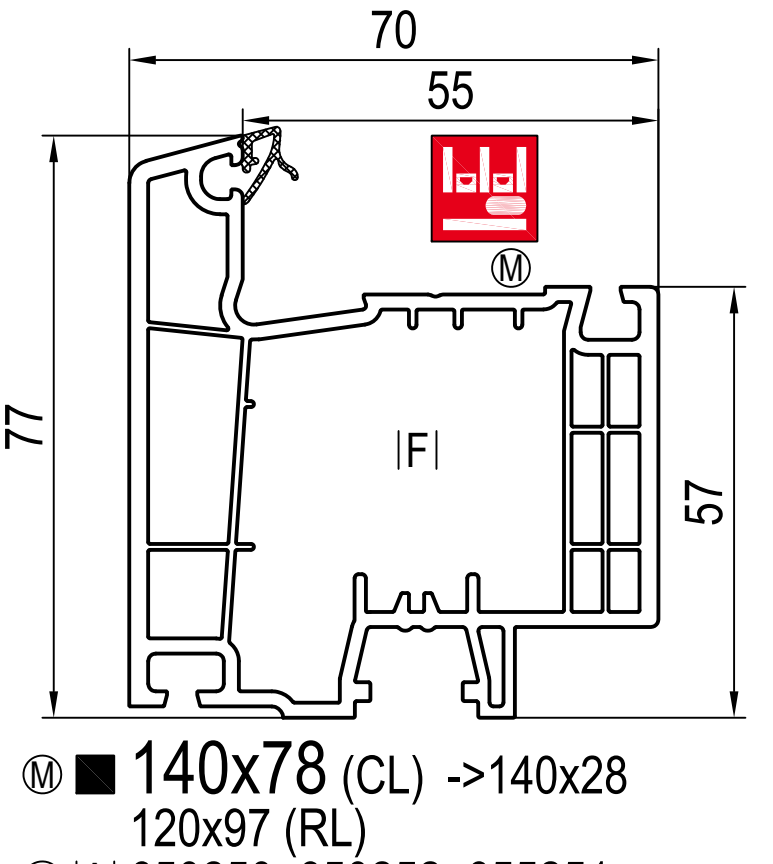
140x20 (CL)
IAI 650250, 650252, 655251
oder IUI
IFI 249016, 249017, 259020, 259021, 259026, 289021
IJI 642261, 642262, 642263, 646265, 646266
IPI 249450



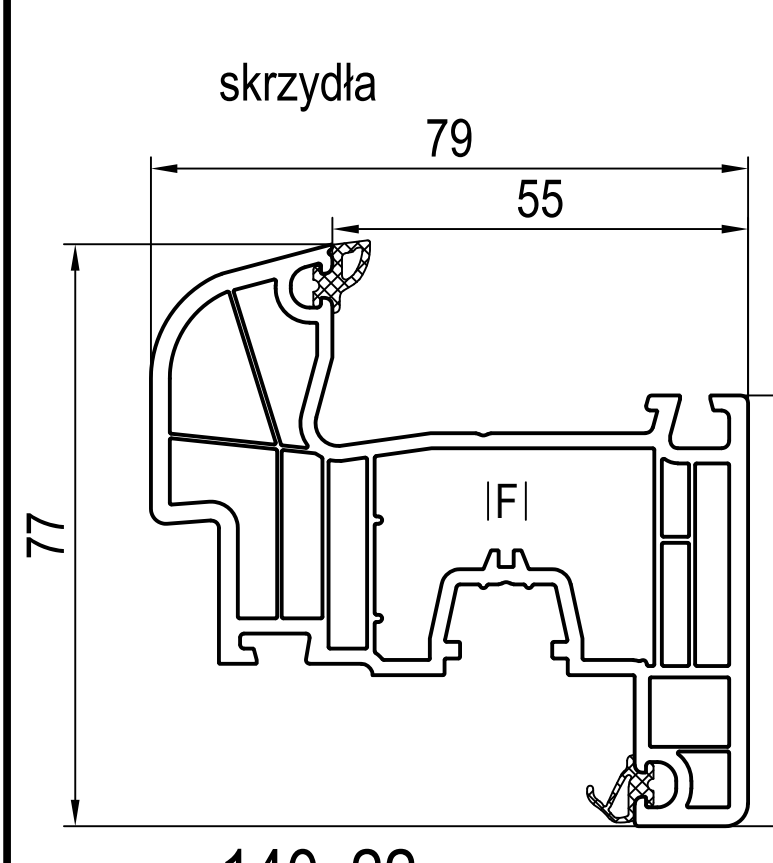
140x29 (CL)
IAI 650250, 650252, 655251
oder IUI
IFI 209192, 209193
IJI 642261, 642262, 642263, 646265, 646266



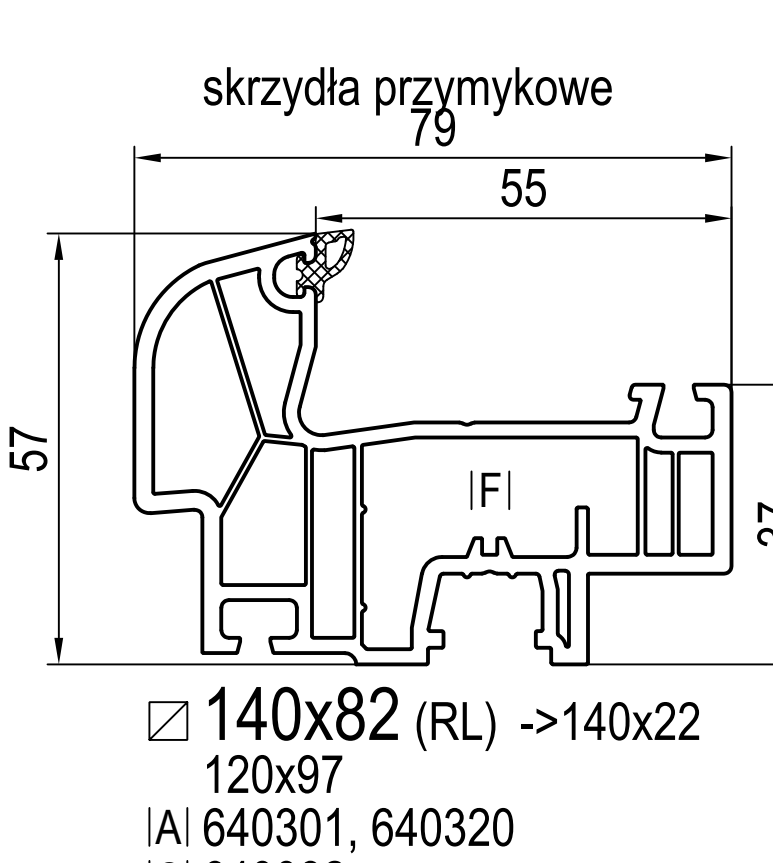
140x41 (CL)
IAI 640301, 640320
IDI 647241 ~ IUI ...
IDI 647131, 647132 ~ 140x4x ...
IDI 647101, 647102 ~ 140x4x ...
IDI 620046 ~ universal
IFI 229098, 229100, 229101
IPI 249341
IUI 249058, 249060, 269060
M 646074



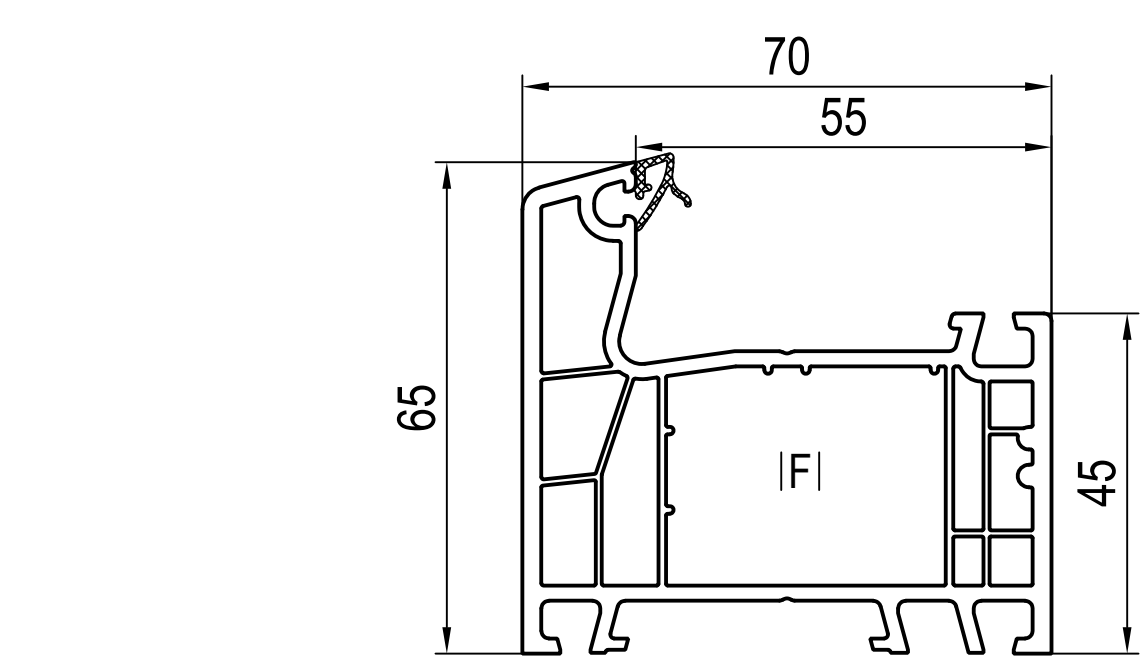
140x78 (CL) -> 140x28
120x97 (RL)
IAI 650250, 650252, 655251
oder IUI
ICI 640082
IFI 249078
IJI 642261, 642262, 642263, 646265, 646266



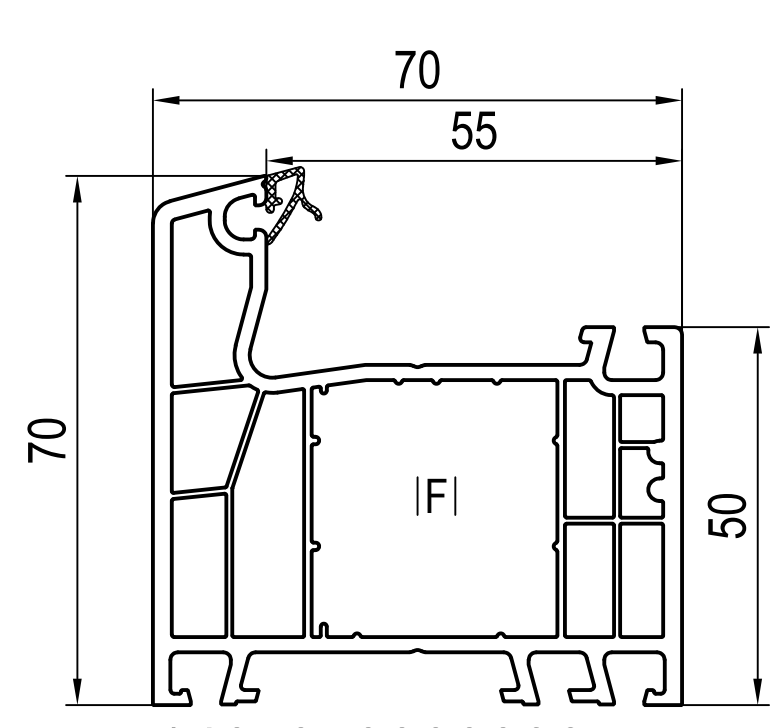
140x22 (RL) -> 140x82
IAI 640301, 640320
IFI 229023, 229024, 229025, 229026, 249026



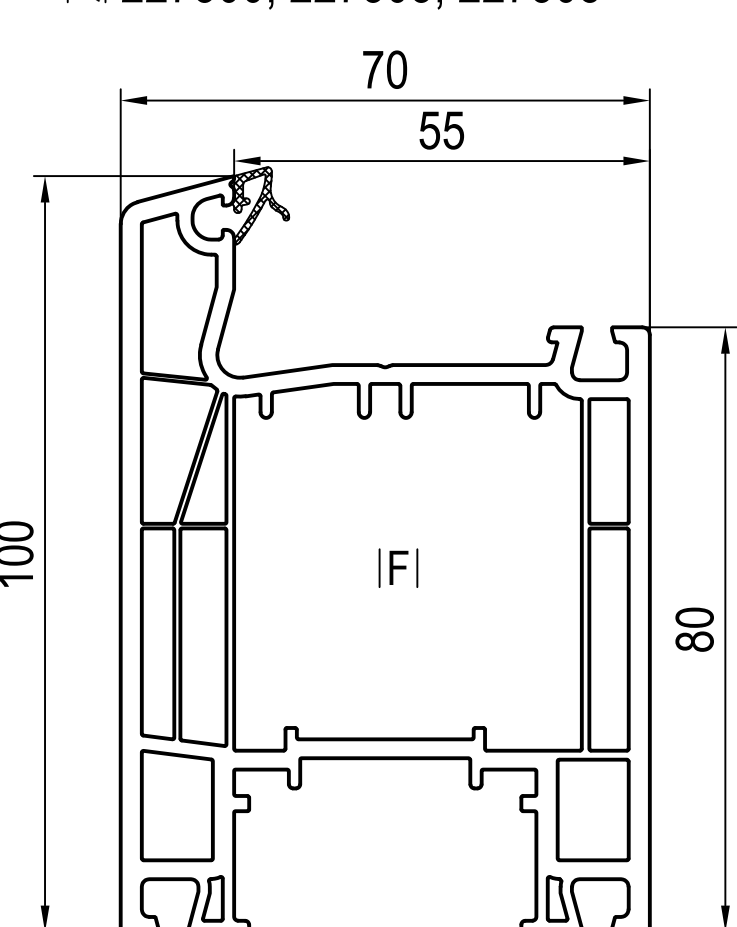
140x82 (RL) -> 140x22
120x97
IAI 640301, 640320
ICI 640082
IFI 229027, 229028



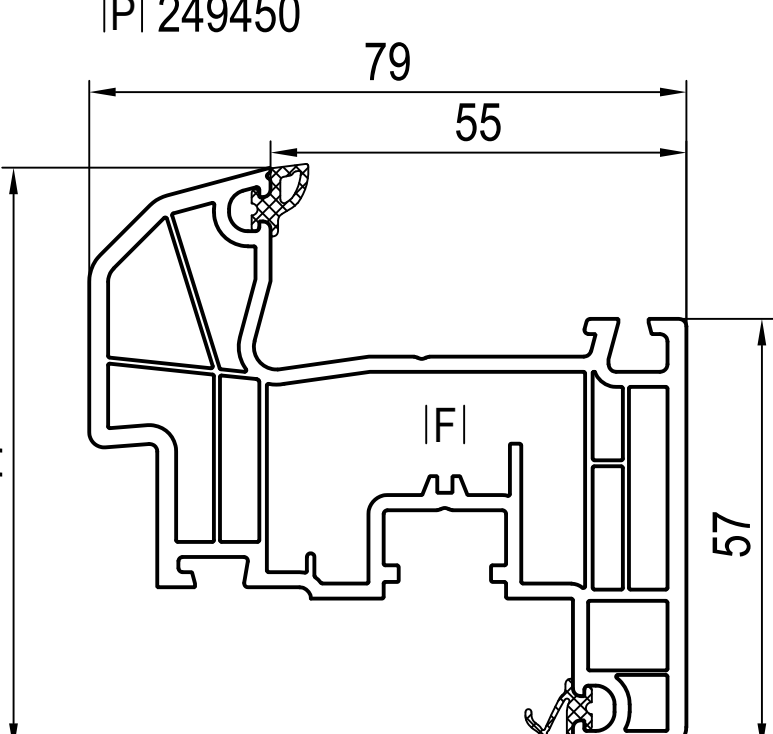
140x01 (CL)
IAI 640301, 640320
IFI 229023, 229024, 229025, 229026, 229029, 229030, 249026
IPI 259304
IQI 227300, 227303, 227305



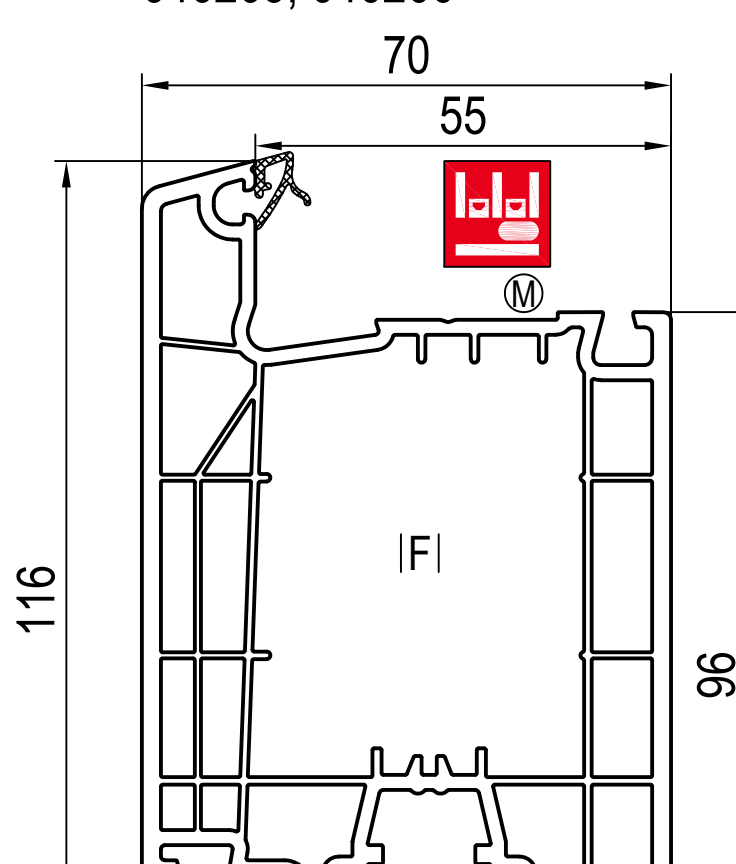
140x070000098 (CL)
IAI 640301, 640320
IFI 249014, 249015, 249016, 259105, 259106, 259107
IPI 249312, 259304
IQI 227300, 227303, 227305
IUI 249058, 249060, 269060
IVI 646071 + IXI 446071



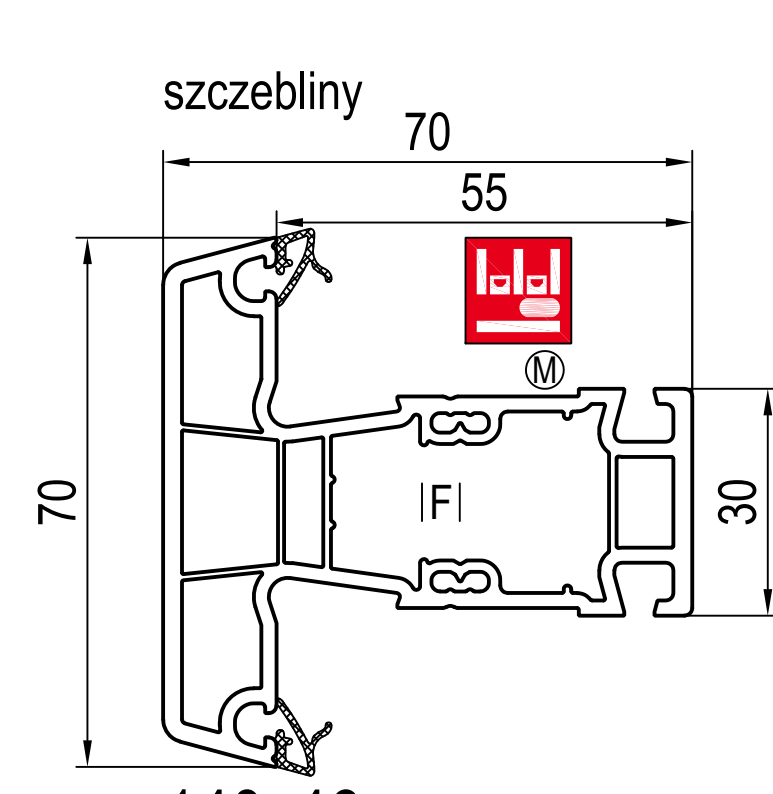
140x81 (CL)
IAI 640301, 640320
IFI 249034, 249035
IQI 227300, 227303, 227305
IUI 249314, 259304
IUI 249058, 249060, 269060
IVI 646078



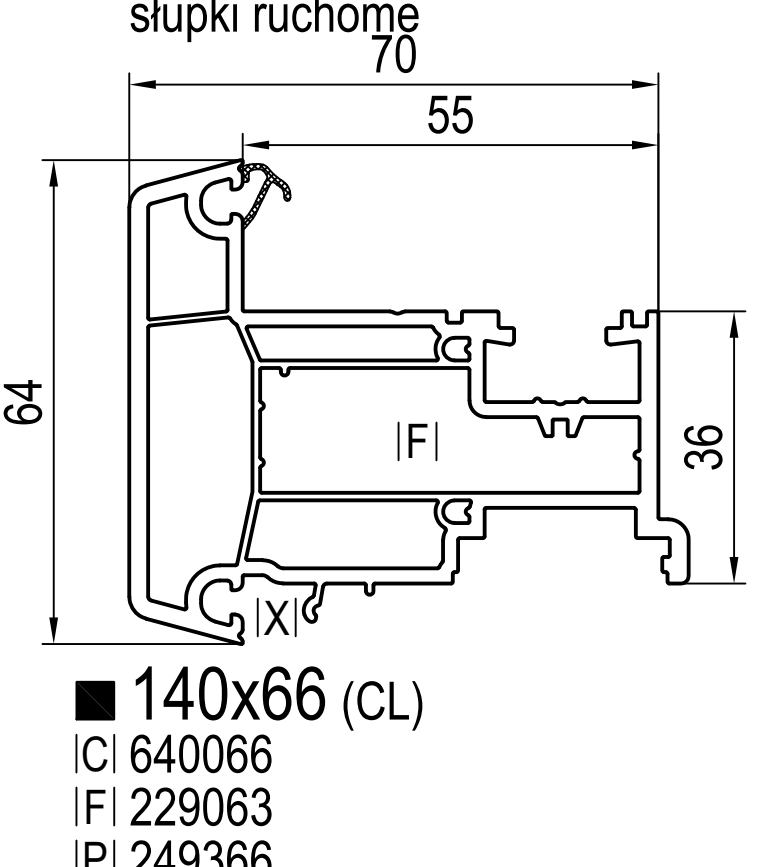
140x26 (CL)
IAI 640301, 640320
IFI 229023, 229024, 229025, 229026, 229027, 229028, 249026



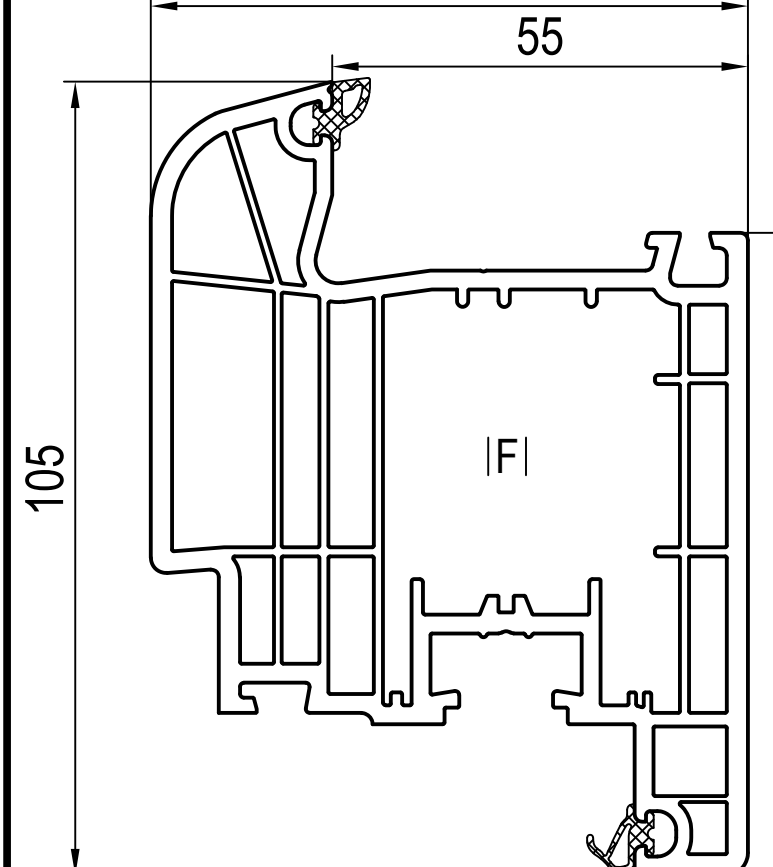
140x33 (CL)
IAI 650250, 650252, 655251
oder IUI
IFI 229125, 229126, 229129, 229131
IJI 642261, 642262, 642263, 646265, 646266
IPI 2494330000098



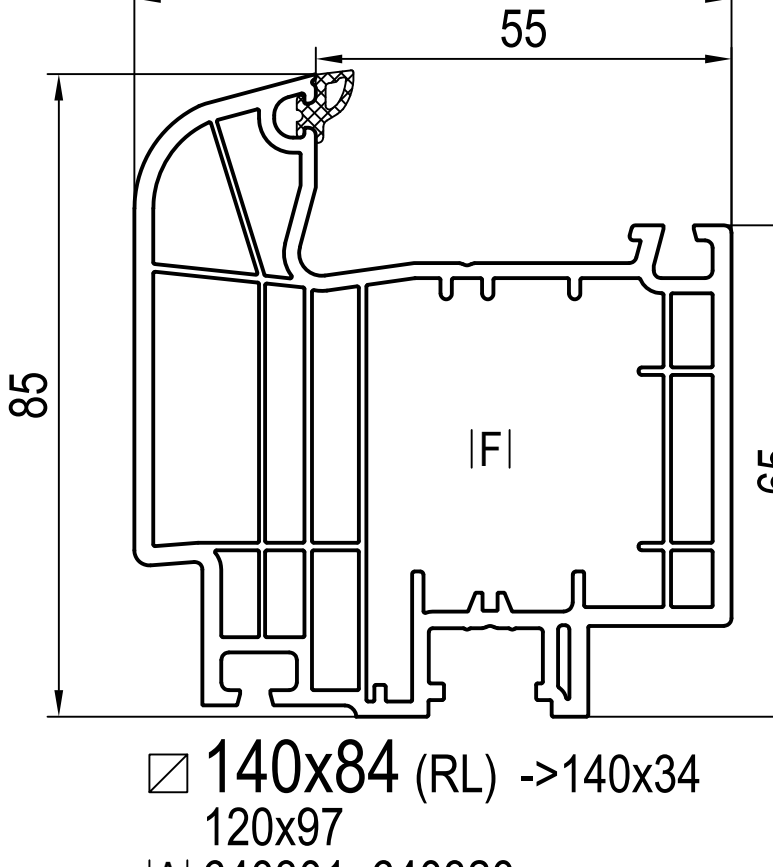
140x46 (CL)
IAI 650250, 650252, 655251
oder IUI
IDI 647146 ~ IUI ...
IFI 249046
IJI 642261, 642262, 642263, 646265, 646266
IPI 249346



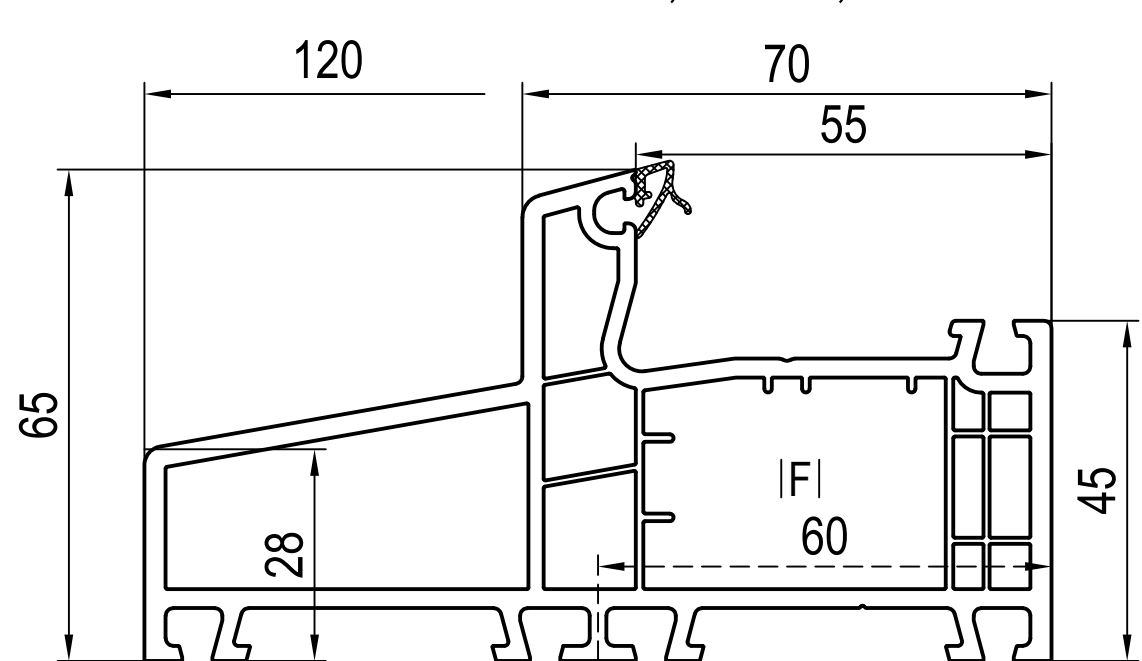
140x66 (CL)
ICI 640086
IFI 229063
IPI 249366
IXI 447340, 449340, 447042, 449042



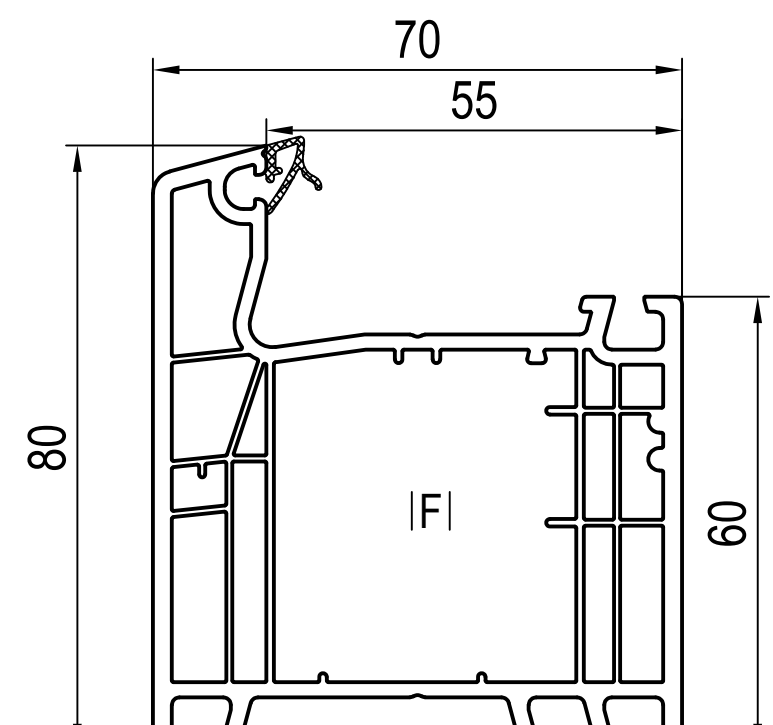
140x34 (RL) -> 140x84
IAI 640301, 640320
IFI 249007, 249009



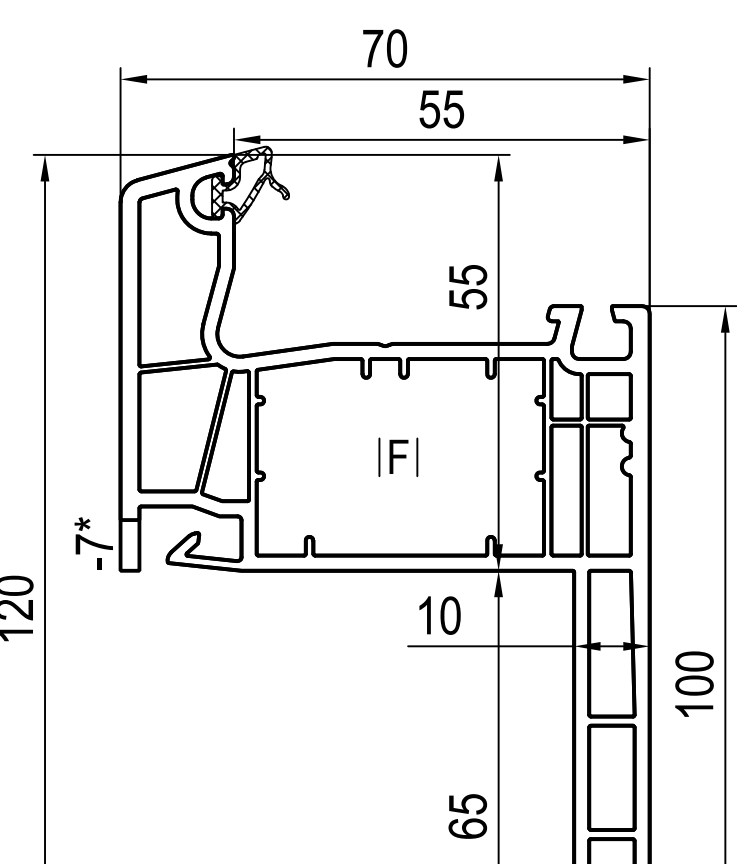
140x84 (RL) -> 140x34
120x97
IAI 640301, 640320
ICI 640082
IFI 249009



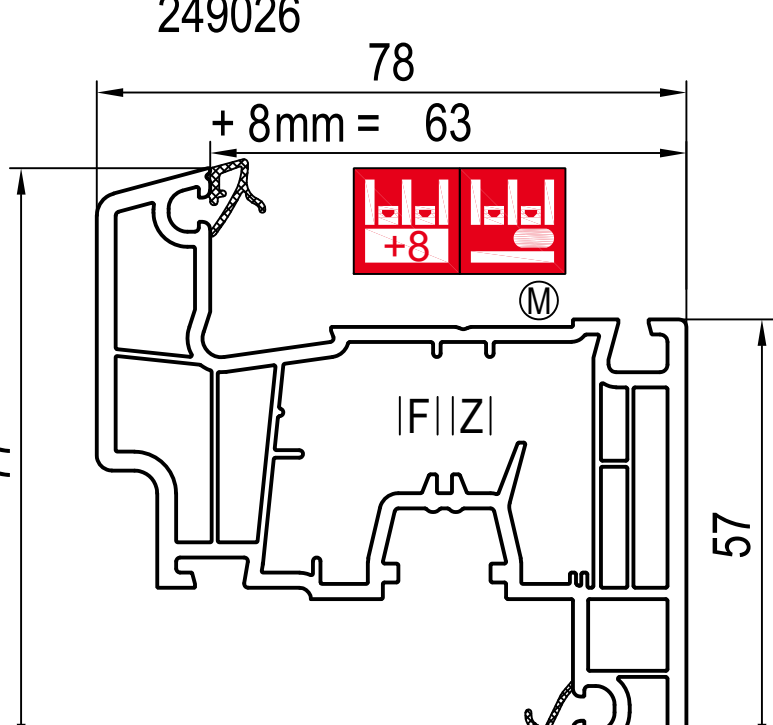
140x91 (CL)(MB)
IAI 640301, 640320
IFI 249010, 259906
IQI 227300, 227303
IUI 249058
IVI 646076



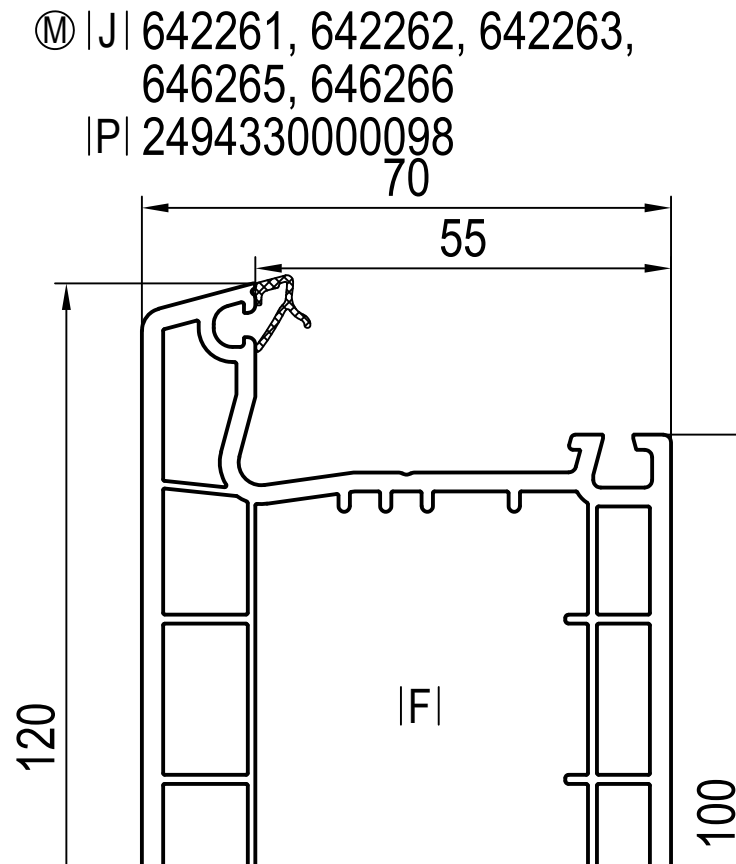
140x03 (CL)
IAI 640301, 640320
IFI 229017, 229114, 229115, 229120
IPI 249313, 259304
IQI 227300, 227303, 227305
IUI 249058, 249060, 269060
IVI 646072 + IXI 446071



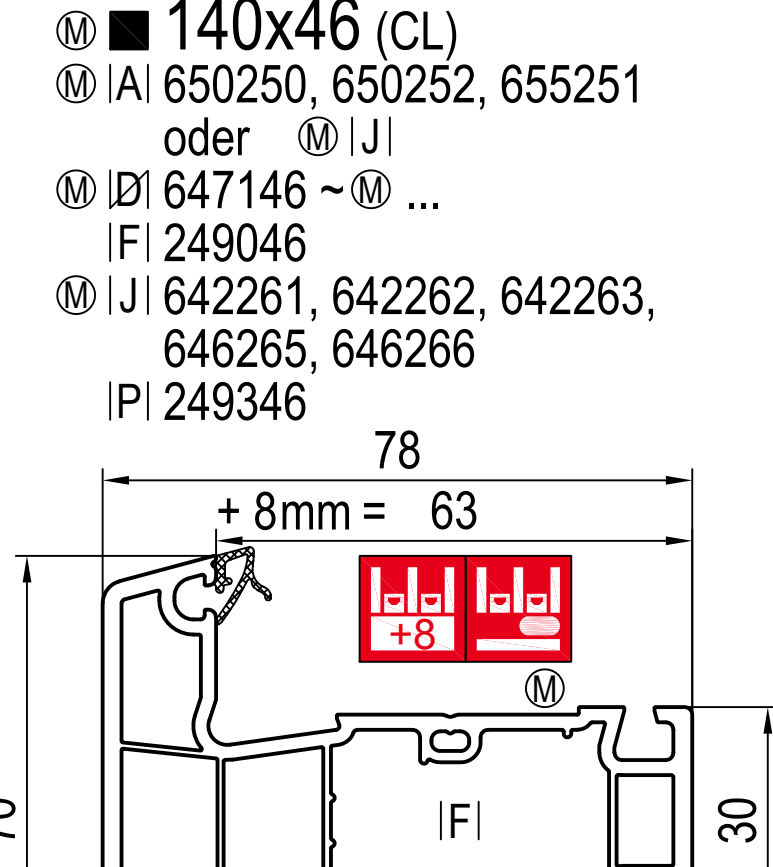
140x09 (CL)
140x090000011 (CL)
IAI 640301, 640320
IFI 229098, 229100, 229101, 249004
IPI 259304
IQI 227300, 227303, 227305



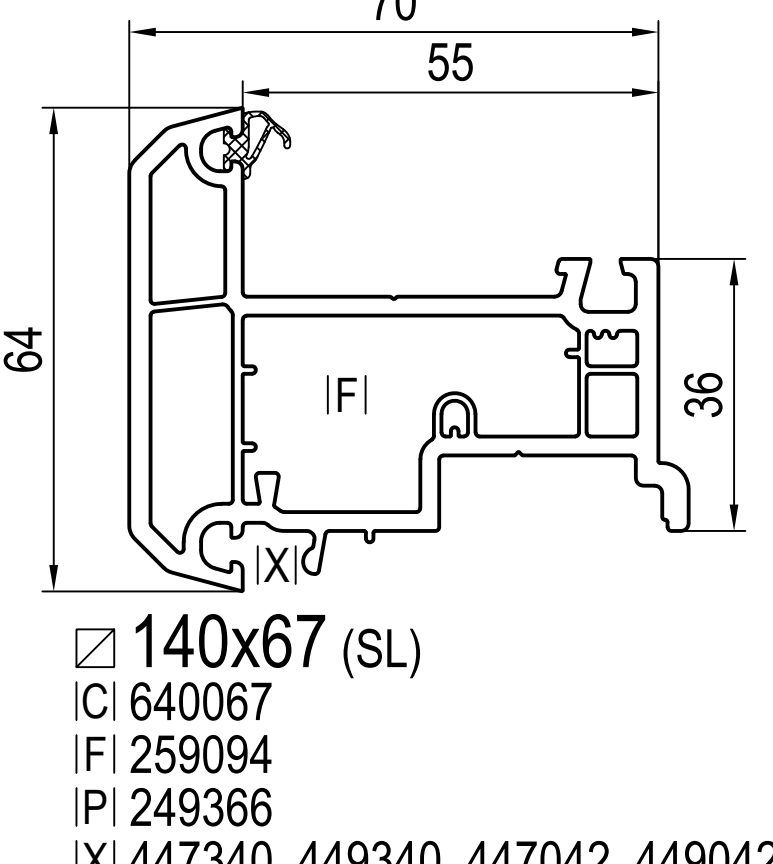
140x27 (CL) -> 140x48
IAI 650250, 650252, 655251, 680250, 685251
oder IUI
IFI 249016, 249017, 259020, 259021, 259026, 289021
IJI 642261, 642262, 642263, 646265, 646266



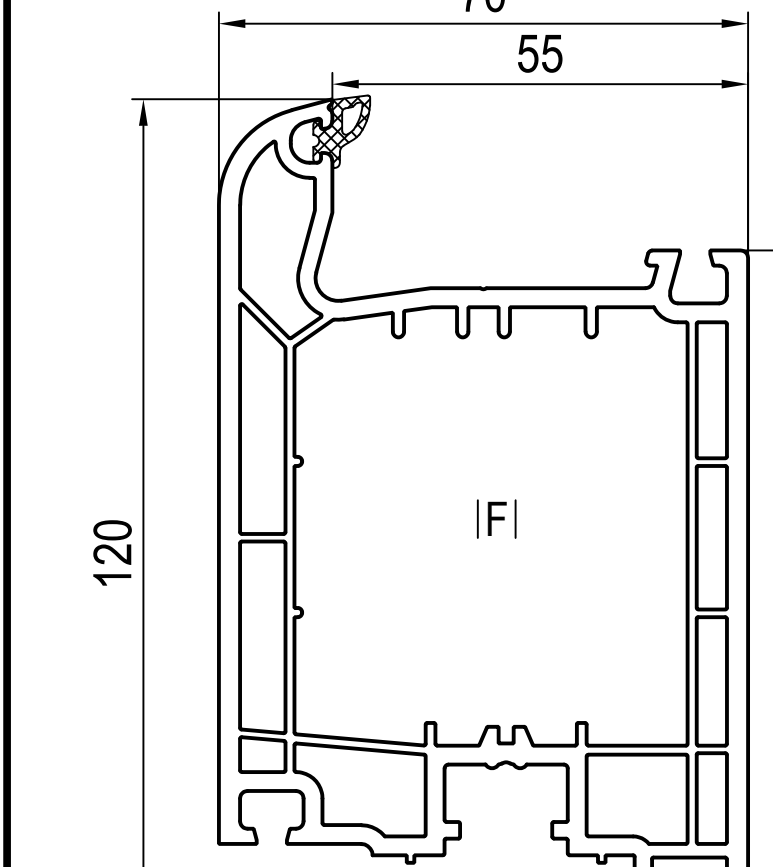
140x35 (CL)
IAI 640301, 640320
IFI 229125, 229126, 229129, 229131
stłupki / szczeliny
IDI 627107 ~ 140x4x ...



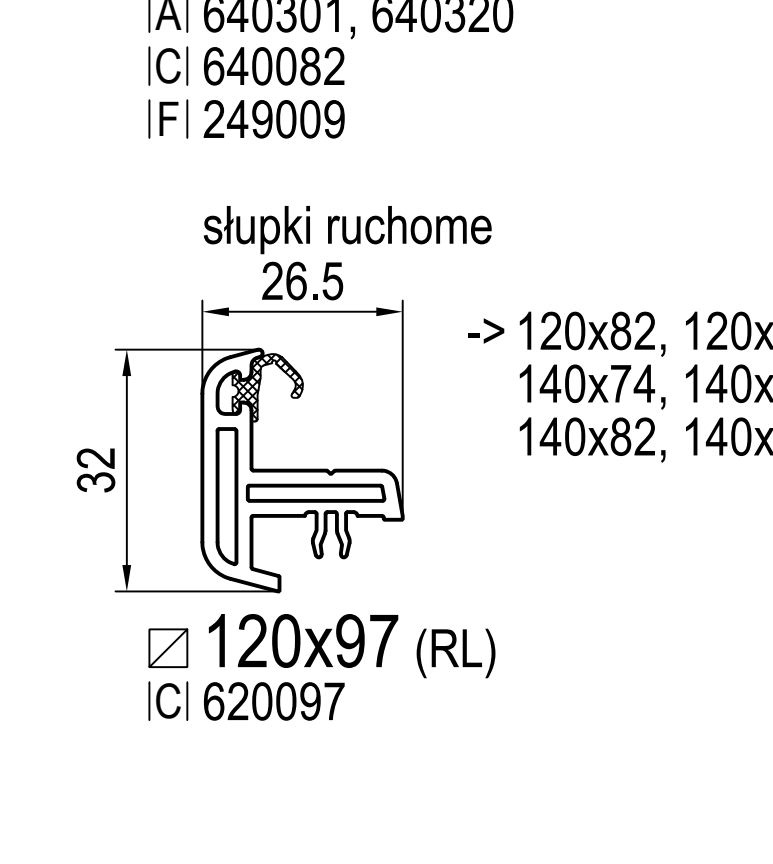
140x48 (CL) -> 140x27, 150x27
IAI 650250, 650252, 655251, 680250, 685251
oder IUI
IDI 647148 ~ IUI ...
IFI 249046
IJI 642261, 642262, 642263, 646265, 646266



140x67 (SL)
ICI 640067
IFI 259094
IPI 249366
IXI 447340, 449340, 447042, 449042



140x38 (RL)
IAI 640301, 640320
IFI 229135, 229137



120x97 (RL)
ICI 620097

- ☑ wklejana szyba opcja
- ☑ nie występuje w kolorze (brak okleiny)
- występuje w kolorze (okleina)

- IAI mostek szklenia
- ICI zaśleпка
- IDI łącznik
- IDI łącznik bez kołnierzy
- IDI wzmocnienie
- IPI wklejana szyba
- IPI **aluskim** nakładka aluminiowa
- IQI aluminiowa osłona ramy
- IUI próg aluminiowy
- IUI łącznik ramy z progiem
- IXI łącznik słupka z progiem
- IXI uszczelka
- IZI pozostałe dodatki

- > do
- (CL) Classic-line
- (RL) Round-line
- (SL) Soft-line
- (MB) Monoblock

